

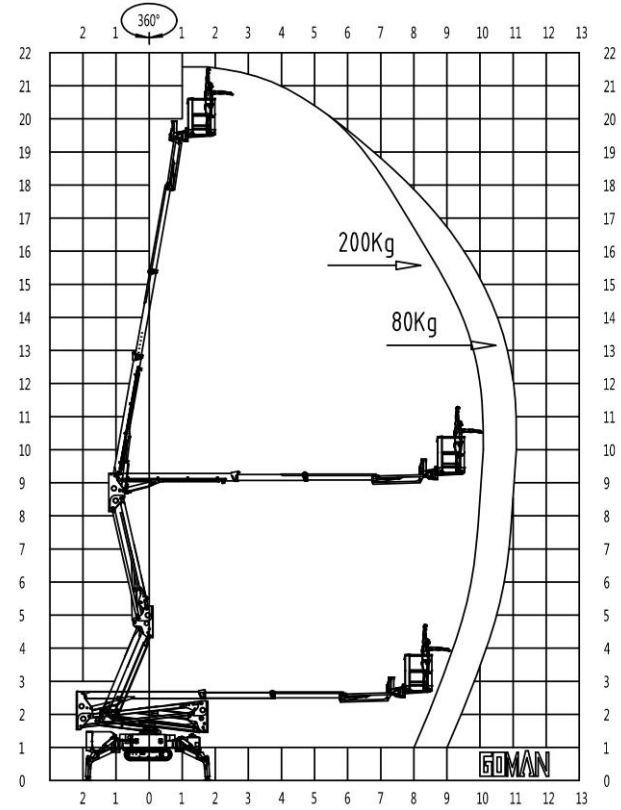


**X21**

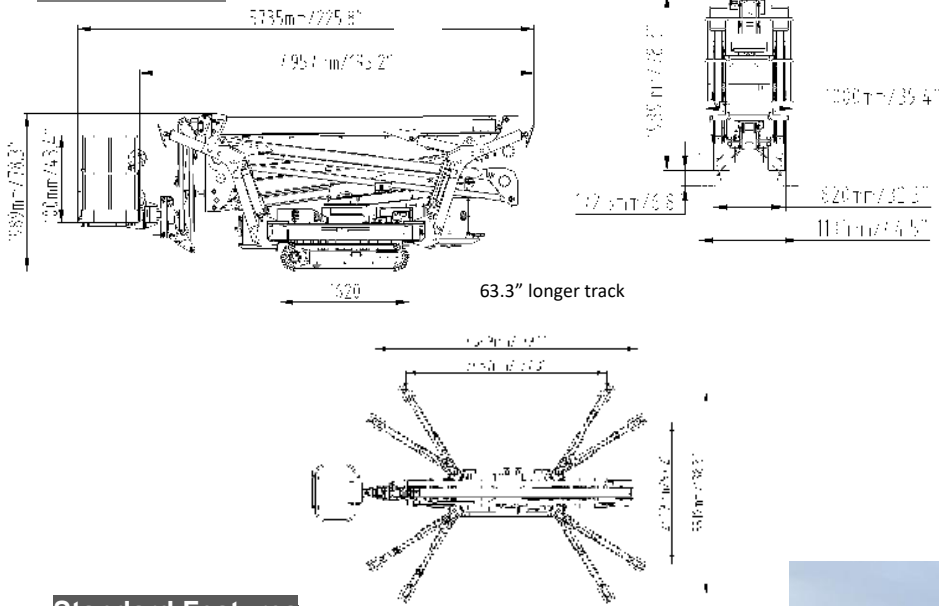


Standard Parameters

Model	<b>X21</b>		<b>GX69</b>	
Max. work height	21.00m		69'	
Max. platform height	19.00m		62.3'	
Load capacity	200kg		500lb	
Lateral Outreach	200kg	440lb	80kg	176lb
	10.0m	32'	11.0m	36'
Jib articulation	90° /120° (optional)			
Turntable rotation	360° (non-continuous)			
Basket rotation	+/-90°			
Size of platform	1.2*0.8*1.1m		47" x 31.5"x 43"	
Overall stowed length (*basket at side)	5.70m/5.07m*		224"/199.6"*	
Overall stowed length (removed basket)	4.57m		15'	
Overall stowed width	0.88m		35"	
Overall stowed height	1.99m		78"	
Ground clearance when jacked up	760mm		30"	
Crawlers fully extended	0.82m		32.2"	
Crawlers fully retracted	1.13m		44.5"	
*Total weight	2850kg		6283lb	
*Driving speed	km/h		0-2.5	
Max. work slope	20%			
*Max. climbing ability	30%			
Power source	Fuel Engine + 110V/220V AC motor			



Technical data



Standard Features

- ▶ Compact design, AC 16A outlet in the basket
- ▶ German made HMI and PLC controller, stainless control box
- ▶ cable control, integrated radio function for free
- ▶ Self-leveling basket, and interchangeable with hydraulic winch or other hydraulic tools as option
- ▶ Automatic outrigger leveling and basket rotation
- ▶ hydraulic adjustable crawlers for height and width
- ▶ Hydraulically arms and outrigger interlock
- ▶ Weight dispersal low ground pressure
- ▶ Made of high tensile steel, hot dip galvanized boom available
- ▶ Reaches standards of ISO, CE and ANSI/CSA



**\*We reserve the right to alternate!\***