

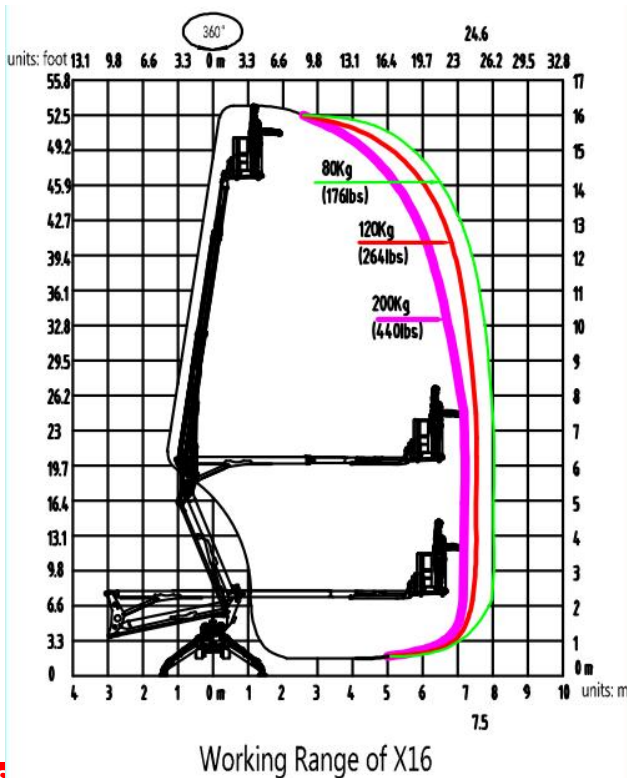
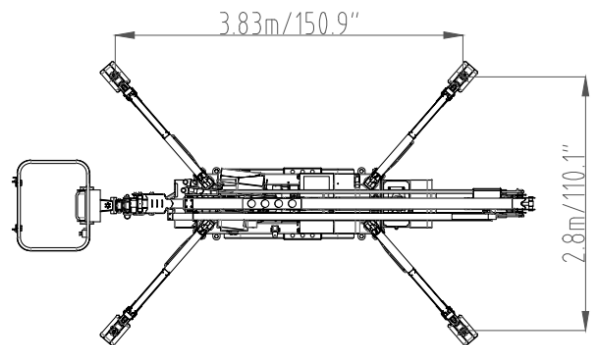
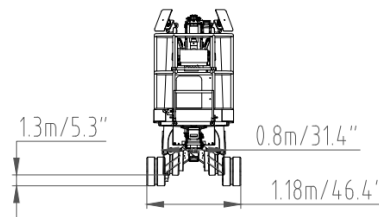
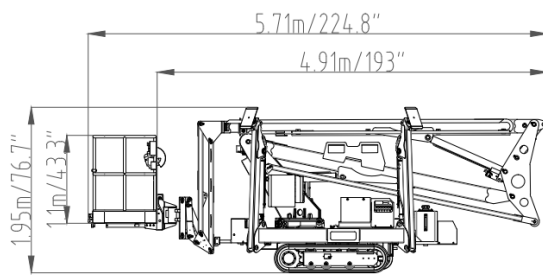


Standard Parameters

Model		X16	GX52
Max. work height	m	16.30	53'
Max. platform height	m	14.30	47'
Load capacity	kg	200	440lb
Lateral outreach	m	7.0m (200kgs) / 23' (440 lb)	
Jib articulation		90°	
Turntable rotation		360° (non-continuous)	
Size of platform		0.9*0.8*1.1m	36" x 31.5" x 43"
Stowed length (Removed basket)		5.71m (4.91m) / 224.8" (198")	
Stowed width (Removed basket)		1.2m (0.9m) / 47.24" (31.5")	
Stowed height		1.99m	78"
Total weight		2200kg-2400kg	4850lb-5291lb
Driving speed	km/h	0-2.5	
Work slope		20%	
Climbing ability		30%	
Hybrid power sources :		Vanguard XR (13.5hp) / Li-on Batteries/Lead-acid Batteries AC 220v 3hp/110 V1.5hp US	

*We keep the right to alternate.

Technical data



Standard Features

- ▶ Compact design, AC 16A outlet in the basket
- ▶ German made HMI and safety PLC controller
- ▶ Radio Control
- ▶ Self-leveling basket, basket rotation ±90°
- ▶ Automatic outrigger leveling
- ▶ Hydraulic adjustable crawlers for height and width
- ▶ Hydraulically arms and outrigger interlock
- ▶ Weight dispersal low ground pressure
- ▶ Made of high tensile steel, *hot dip galvanized boom* available
- ▶ Reach standard of ISO, CE and ANSI

