

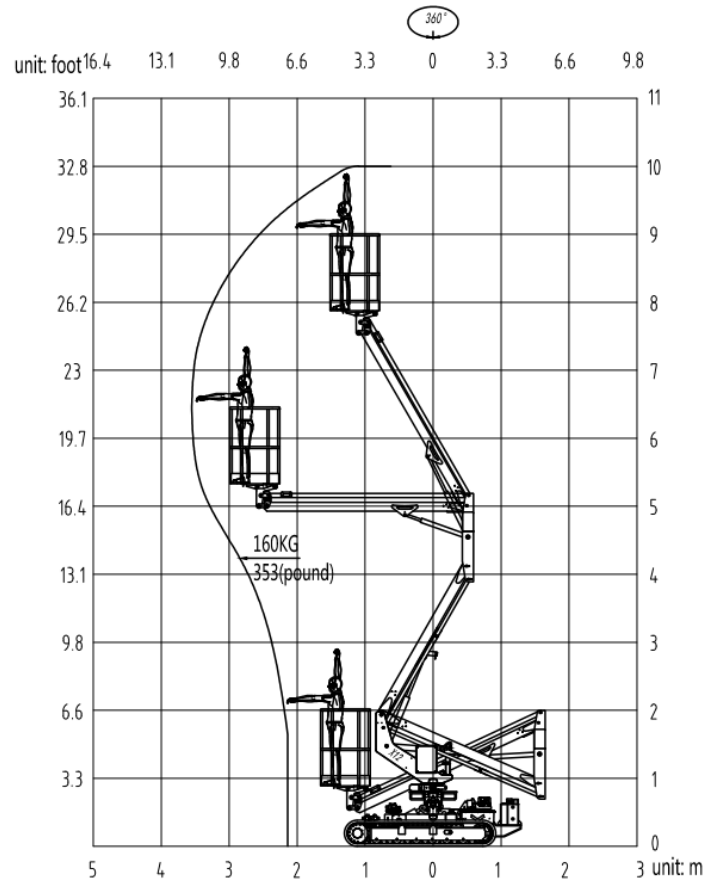


Standard Parameters

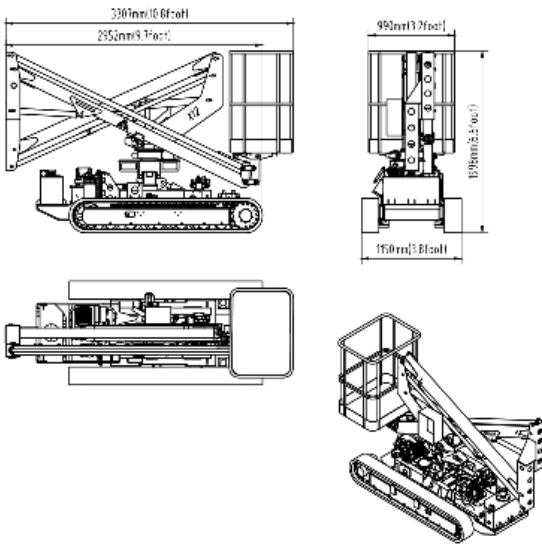
Model		X10	GX33
Max. work height	m	10.00	33'
Max. platform height	m	8.00	26'
Load capacity	kg	160	300lb
Lateral Outreach	m	3.5	11.1'
Turntable rotation		360° non-continuous	
Size of platform	m	0.9*0.7*1.1	
Overall stowed length	m	3.30	130"
Overall stowed width	m	1.15	56"
Overall stowed height	m	1.99	78"
Track speed with battery km/h		0-5.0	
Track speed with engine km/h		0-3.0	
Work slope		17 ° (10 ° side up)	
Power: "gas engine" Or "lithium battery 24V"		One Power in case of DC drive	
Total weight	kg	1980 kg (gas engine) 2230 kg (lithium battery 24V)	

*we reserve the right to make technical alternation.

Lateral Outreach



Machine dimensions



Standard Features

- ▶ Spider lift without outriggers
- ▶ Allow traction at 0.3km/h under $\pm 1.5^\circ$ unless intervention
- ▶ Compact design for indoor and outdoor use
- ▶ Double axle adjustment allowing work in slope
- ▶ Lowering without power
- ▶ Adjustable crawlers feature narrow access
- ▶ Plug control panel in basket
- ▶ 360° non-continuous turntable rotation